



Zoneline® AIR CONDITIONER

SAFETY INFORMATION3

USING THE ZONELINE

Controls6

Air Direction7

To Remove the Room Cover7

Ventilation Control.....7

Auxiliary Controls.....8

Remote Thermostat.....13

CARE AND CLEANING

Room Cover and Sleeve14

Outdoor Coils14

Base Pan14

Ventilation Filter.....14

Air Filters.....15

REQUIREMENTS FOR OPERATION.....16

INSTALLATION INSTRUCTIONS

Preparation22

Replacing an Existing Unit23

Electrical Connection.....24

Installing the Zoneline.....27

Optional Drain Kit29

TROUBLESHOOTING TIPS.....30

Normal Operating Sounds32

CONSUMER SUPPORT

Warranty35

Consumer Support.....36

OWNER'S MANUAL

AZE
AZH

Español

For a Spanish version of this manual, visit our Website at Zoneline.com.

Para consultar una version en español de este manual de instrucciones, visite nuestro sitio de internet Zoneline.com.

Write the model and serial numbers here:

Model # _____

Serial # _____

Find these numbers on a label behind the room cover on the base pan.

THANK YOU FOR MAKING GE APPLIANCES A PART OF YOUR HOME.

Whether you grew up with GE Appliances, or this is your first, we're happy to have you in the family.

We take pride in the craftsmanship, innovation and design that goes into every GE Appliances product, and we think you will too. Among other things, registration of your appliance ensures that we can deliver important product information and warranty details when you need them.

Register your GE appliance now online. Helpful websites and phone numbers are available in the Consumer Support section of this Owner's Manual. You may also mail in the pre-printed registration card included in the packing material.



IMPORTANT SAFETY INFORMATION

READ ALL INSTRUCTIONS BEFORE USING THE APPLIANCE

⚠ WARNING

For your safety, the information in this manual must be followed to minimize the risk of fire or explosion, electric shock, or to prevent property damage, personal injury, or loss of life.

SAFETY PRECAUTIONS

- This Zoneline must be properly installed in accordance with the Installation Instructions before it is used. See the Installation Instructions in the back of this manual.
- Immediately replace all electric service cords that have become frayed or otherwise damaged. A damaged power supply cord must be replaced with a new power supply cord obtained from the manufacturer and not repaired. Do not use a cord that shows cracks or abrasion damage along its length or at either the plug or connector end.
- Unplug or disconnect the Zoneline at the fuse box or circuit breaker before making any repairs.

NOTE: We strongly recommend that any servicing be performed by a qualified individual.

- These R454B air conditioning systems require contractors and technicians to use tools, equipment and safety standards approved for use with this refrigerant. **DO NOT use equipment certified for R22 refrigerant only.**
- This unit is not to be installed in a laundry room.
- Children should be supervised to ensure that they do not play with the appliance.
- Appliances that are obviously damaged must not be operated.

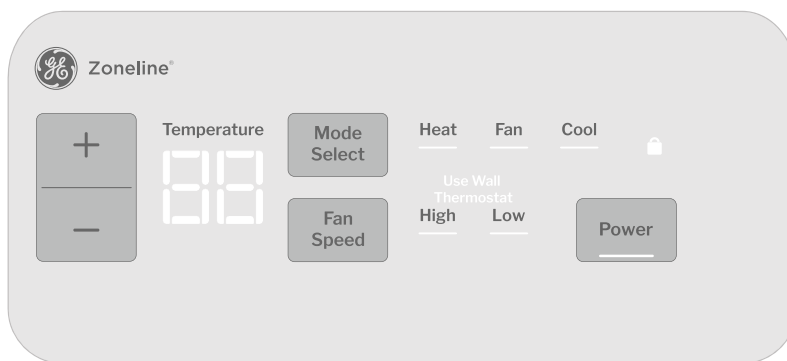
Replacing an existing unit?

For details, see the Installation Instructions in this manual.

This appliance is not intended for use by persons (including children) with reduced physical, sensory or mental capabilities, or lack of experience and knowledge, unless they have been given supervision or instruction concerning use of the appliance by a person responsible for their safety.

READ AND SAVE THESE INSTRUCTIONS

Controls



Temp Control

The temp control is used to maintain the room temperature. The system will cycle on and off to keep the room at the same level of comfort.

Press the + pad to raise the temperature.

Press the - pad to lower the temperature.

NOTE: The display shows the set temperature, not the room temperature.

Fan, Mode and Operation Control

FAN – Sets the fan operation for **HIGH** or **LOW**.

MODE – **COOL** – For cooling

FAN – For fan-only operation

HEAT – For heating

POWER – Turns unit Off and On. Power remains connected to the zoneline. The Freeze/Heat Sentinel, constant fan, and defrost sentinel features still function if active. See Freeze/Heat Sentinel section on page 9.

USE WALL THERMOSTAT— This LED will light up when the unit is controlled by a wall thermostat. See page 10 for details.

Control Lock Out

The control panel can be locked out to prevent users from changing operation mode of the unit. While the unit is in the desired operating mode, press and hold **MODE** and **POWER** buttons for 3 seconds and **RELEASE** to lock the control and desired setting.

When locked, locked indicator LED will be illuminated.

To unlock the control lock out feature and resume normal operation, press and hold **MODE** and **POWER** buttons for 3 seconds and **RELEASE**.

NOTE: When switching between modes, it may take several minutes to completely change operation.

About Your Heat Pump (AZH)

Heat pumps can save money by capturing heat from the outside air—even when the outside temperature is below freezing—and releasing that heat indoors.

To get the best energy performance from your heat pump, don't change the room thermostat by more than one degree at one time. Raising the heat setting 2–3 degrees will cause the Zoneline to use its electric heating elements in order to reach the new temperature setting quickly.

The electric heating elements use more electricity than heat pumps and cost more to operate.

There is a 3-minute minimum compressor run time at any setting to prevent short cycling.

The fans start before the compressor and stop after the

compressor cycles off.

For AZH, When the outdoor temperature is lower than 25°F, heat is provided by the electric heater instead of by the heat pump. When the outdoor temperature is lower than 25°F, cooling operation is locked out to prevent damage to the compressor. Operation will resume when the outdoor temperature rises above 32°F.

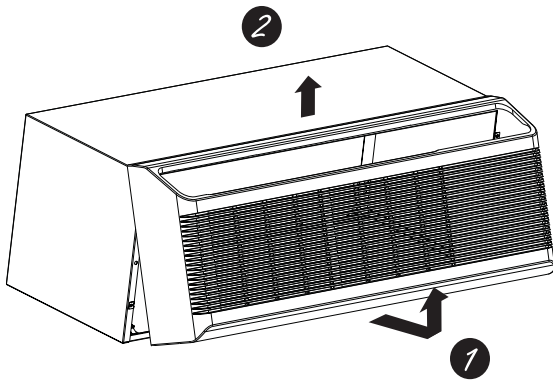
Using the Zoneline

To Remove the Room Front

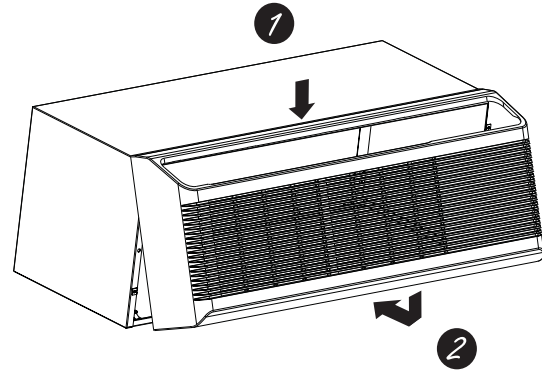
Additional controls are located behind the room cover.

Warning: Do not remove room front. Room front is only to be removed for installation or if servicing.

To remove: Pull out at the bottom to release it from the holding tabs on the sides (1). Then lift up (2).

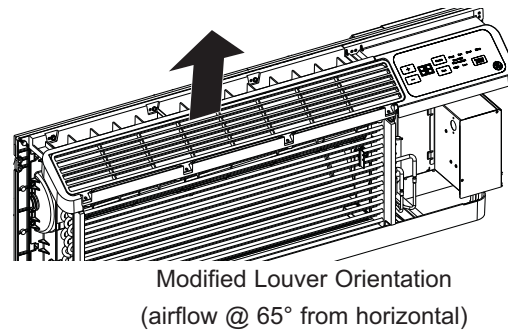
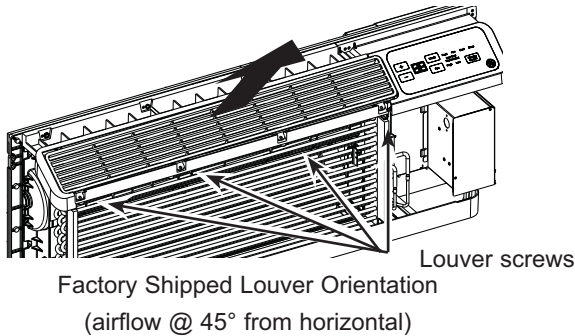


To replace: Align and place the top rail of the room cover over the chassis (1). Push inward at the bottom until it snaps into place (2).



Air Direction

To change the air direction, remove the room cover. Remove the 4 louver screws that hold the louver insert in place. Rotate the louver 180°, reinstall and replace the screws and the room cover.



Ventilation Control*

NOTE: Two shipping screws must be removed from the vent door before use. See the Installation Instructions in the back of this manual.

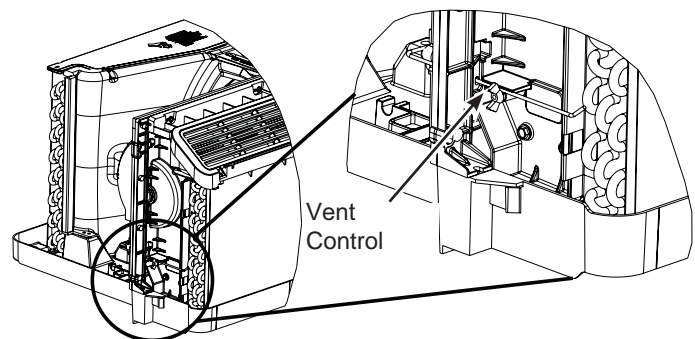
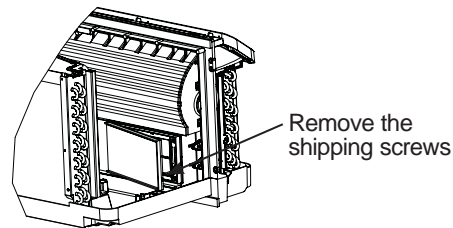
The ventilation control lever is located at the lower left side of the Zoneline unit, behind the room cover. The position of the lever can be adjusted with the wing nut.

When set at the closed position, only the air inside the room is circulated and filtered.

When set in an open position, some outdoor air will be drawn into the room. This will reduce the heating or cooling efficiency.

Energy Tip: Keep the vent control in the closed position to prevent unconditioned air from entering the room.

* Not on Make Up Air Module Units.



Auxiliary controls on your Zoneline

Auxiliary Controls - Aux Set Button

While the unit is preset to what most customers prefer, there are auxiliary controls located behind the room cover, below the control panel.

Remove the room cover. See the **To Remove the Room Front** section, on page 7.

If the owner modifies the auxiliary controls, the owner is responsible for ensuring the auxiliary controls are set to the desired function. There are multiple functions/modes that can be adjusted using the auxiliary set button.

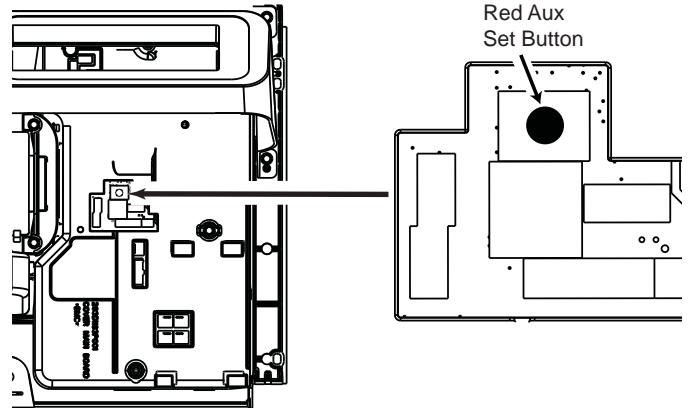
To change operating or set up parameters, press the red **AUX** button at any time. "A1" will appear on the display.

Press **+** or **-** to increment through the Aux setting Menus (A1, A2, etc). Heat / Cool will not be illuminated.

Press the **FAN** button to enter the selected Aux Setting Menu. Then, press **+** or **-** to change the setting. Some settings will use the **MODE** button for additional

selections. Press the **FAN** button again to exit the current Aux Setting menu and to return to the Aux Menu list. Settings are applied when **FAN** or **MODE** buttons are pressed.

Press the red **AUX** button to exit AUX setting menu and return to normal operation.



AUX A1 Smart Fan—Cooling/Heating

Use **+** or **-** to navigate to A1 AUX Setting, and enter the menu with the **FAN** button. The **COOL** LED light on the main control will be on. To change to heat mode, press **MODE** again. The **HEAT** LED light on the main control will be lit.

Press the **+** or **-** button to set the indoor fan to cycle on/off in the heating or cooling mode selected "CY"

Press the **+** or **-** button to set the indoor fan to run continuously in the heating or cooling mode selected "C0".

Press **FAN** or **MODE** button to confirm selection.

The default setting for Mode 1 is as follows:

Cooling: Continuous (C0)

Heating: Cycle (CY)

***Note:** In cyclic cooling mode, the indoor fan will activate occasionally to verify air temperature in the room. In cyclic heating mode, the fan will continue to operate for several seconds after the heating function has stopped in order to increase unit efficiency.

09

Mode

Cool

Fan

00

Mode

Cool

Fan

09

Mode

Heat

Fan

00

Mode

Heat

Fan

Auxiliary controls on your Zoneline

AUX A2 Fahrenheit / Celsius

This feature allows the individual to switch the temperature units between Fahrenheit and Celsius on the display.

Use **+ or -** to navigate to A2 AUX Setting, and enter the menu with the **FAN** button.

Use **+ or -** to navigate to select Celsius or Fahrenheit. The individual will see an F for Fahrenheit or a C for Celsius in the second digit of the display based on the selection.

The default setting for Mode 2 is Fahrenheit.



AUX A3 Freeze Sentinel/Heat Sentinel

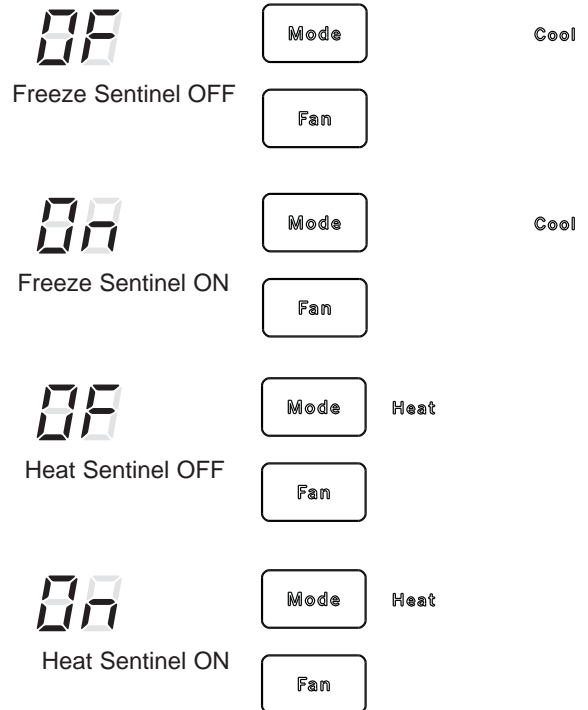
With power to the unit and **Freeze Sentinel** activated, the unit automatically provides heat without user interface. This prevents potential plumbing damage by turning the heater and indoor fan ON at 41°F and then OFF once the room temperature reaches 46°F.

When **Heat Sentinel** is activated, the unit automatically provides cooling without user interface. This prevents an excessively hot room by turning the air conditioner ON at 85°F and then OFF once the room temperature reaches 80°F.

Use **+ or -** to navigate to A3 AUX Setting, and enter the menu with the **FAN** button. The COOL LED light on the main control will be on for Freeze Sentinel mode. Press **MODE** again to change to Heat Sentinel. The **HEAT** Led light will be on. Press the **+ or -** buttons to cycle between ON "On" and OFF "OF". Press **FAN** or **MODE** buttons to lock in selection.

The default setting for Mode 3: **Heat Sentinel** is off, **Freeze Sentinel** is on.

NOTE: These functions are active whenever the unit is plugged in, even if the unit is turned off.



AUX A4 Constant ON Fan

Use **+ or -** to navigate to A4 AUX Setting, and enter the menu with the **FAN** button.

Press the **+ or -** buttons to cycle between **ON** "On" and **OFF** "OF".

Press **FAN** or **MODE** buttons to lock in selection.

Note: This causes the fan to continuously even if unit is turned off.

The default setting for Aux A4 is **OFF**.



Auxiliary controls on your Zoneline

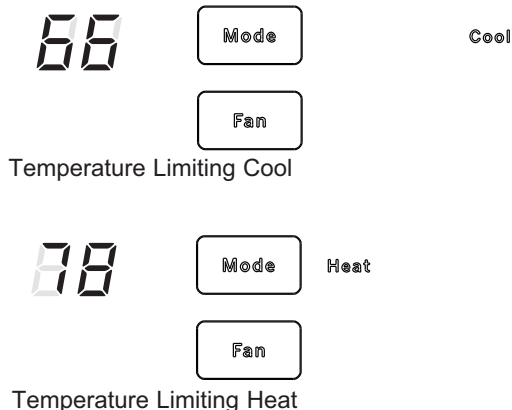
AUX A5 Temperature Limiting

Temperature limiting is a feature that reduces energy costs by limiting the lowest temperature that can be obtained in cooling and the highest temperature that can be obtained in heating.

Use **+ or -** to navigate to A5 AUX Setting, and enter the menu with the **FAN** button. For cool mode, the **COOL** LED light on the main control will be lit. To change to heat mode, press **MODE** again and the **HEAT** LED light on the main control will be lit.

To set the temperature limits, press the **+ or -** buttons. The values will be in Celsius or Fahrenheit depending on AUX selection from AUX setting A2. Press **FAN or MODE** button to lock in selection.

The default setting for AUX A5:
 Cool: 66 to 85 F (19 to 29 C)
 Heat: 60 to 78 F (15 to 25 C)



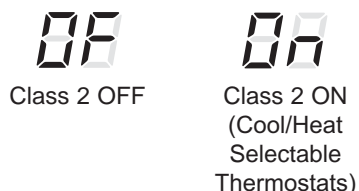
AUX A6 Use Wall Thermostat

Setting this mode to ON will allow the unit to operate with a Class 2 Remote Control Wall Thermostat. Use **+ or -** to navigate to A6 AUX Setting, and enter the menu with the **FAN** button.

The default setting for Mode 6 is OFF.

Press the **+ or -** buttons to cycle between ON “On” and OFF “OF”. Press **FAN or MODE** buttons to lock in selection.

When this mode is active, the display will show “Use Wall Thermostat” when any key is pressed.



AUX A7 Fan Boost Setting

This setting is used to increase airflow from unit to ensure proper circulation. Use **+ or -** to navigate to A7 AUX Setting, and enter the menu with the **FAN** button. Press the **+ or -** buttons to cycle between ON “On” and OFF “OF”. Press **FAN or MODE** buttons to lock in selection.

The default setting for Aux A7 is OFF



Auxiliary controls on your Zoneline

AUX A8 Heat Mode Selector (AZH only)

This setting is used to limit which modes of heating the unit can operate in.

Use **+ or -** to navigate to A8 AUX Setting, and enter the menu with the **FAN** button.

Press the **+ or -** buttons to cycle between:

- EH: Electric heat only (Unit provides Only E-heat, unless faulted)
- Hd: High Demand (AZH will only use Boost Heat Pump, and AZV will use an increased compressor speed. Unless faulted)
- HY: Hybrid (Default. Unit can provide heat through all available modes)

- Bo: Both HP (Will use Boost Heat Pump or normal Heat Pump. Unit won't use electric heat. Unless faulted)

- HP: Heat Pump Only (Unit won't use electric heat. Unless faulted)

Press **FAN or MODE** buttons to lock in selection.

The default setting for Aux A8 is Hybrid "HY".



AUX A9 Heat Fault Override (AZH only)

This setting is used to further limit which heating modes unit may operate in, depending on which AUX setting is set in A8.

A9 will only be visible if Boost Heat Pump "Bo" or Heat Pump Only "HP" are selected in Aux A8.

Use **+ or -** to navigate to A9 AUX Setting, and enter the menu with the **FAN** button.

Press the **+ or -** buttons to cycle between ON "On" and OFF "OF". Press **FAN or MODE** buttons to lock in selection.

ON enables strict heat operation control.

OFF enables unit to override Aux A8 selection if fault is detected.

The default setting for Aux A9 is OFF



AUX C1 24 Volt Control Signal

Use **+ or -** to navigate to C1 AUX Setting, and enter the menu with the **FAN** button.

Press the **+ or -** buttons to cycle between:

24 Volt CDC Mode "Cd": Unit ignores input from external thermostat or user input. Sentinel modes still operate.

24 Volt Occupancy Mode "OC":

OFF "OF":

Press **FAN or MODE** buttons to lock in selection.

The default setting for Aux C1 is OFF.



Auxiliary controls on your Zoneline

Auxiliary Controls - Terminal Connections

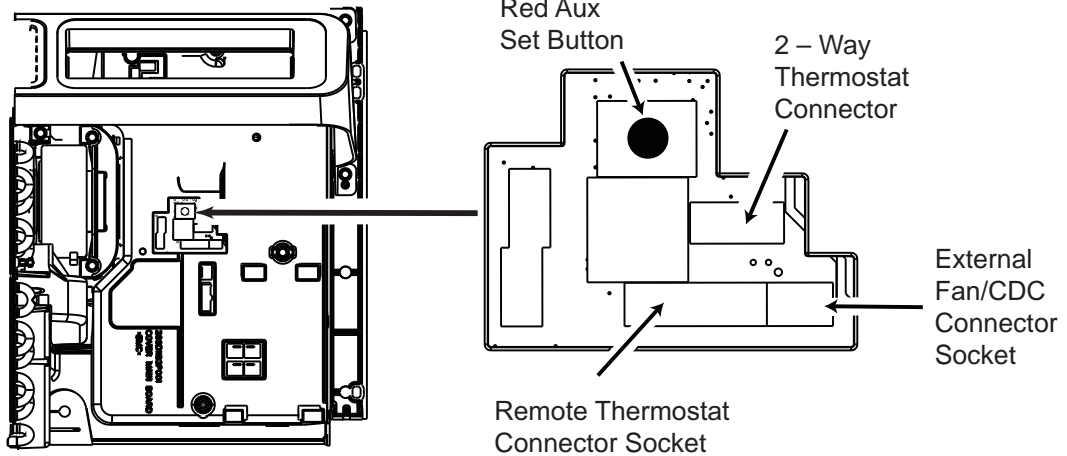
The auxiliary control terminal connections are located behind the room cover beneath the unit controls.

1. Turn off and unplug the unit.
2. Remove the room cover. See the To Remove the Room Cover section.
3. To make wiring connections, insert the connectors into the appropriate terminals on the control box.
4. After all desired connections have been made, replace the room cover.

The owner is responsible for making all connections and setting the appropriate **AUX SET** mode(s).

NOTICE:

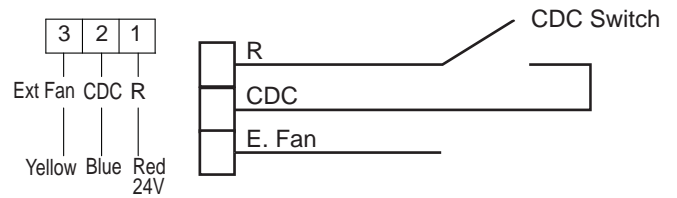
Improper wiring may damage the Zoneline electronics. No common busing is permitted. Damage or erratic operation may result. A separate wire pair must be run from each separate controlling switch to each individual Zoneline.



Central Desk Control (Field Supplied)*

The Central Desk Control is a feature that allows the unit to be made operable/inoperable from a remote location. Operation of the feature requires that an ON-OFF switch at the remote location be wired to the two CDC terminals on the control panel of the Zoneline. When the remote switch is CLOSED, the unit cannot be operated in the Fan, Cool, or Heat via the local controls. The Freeze Sentinel and the Heat Sentinel features remain operable. When the remote switch is Open, the unit is fully operable by the local control.

The RAKCDC accessory must be used with a central desk control system. No "Common Busing" is permitted.

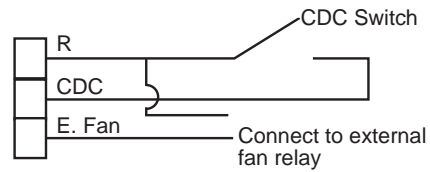
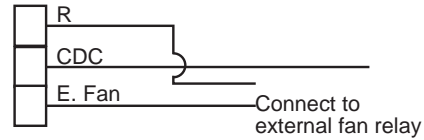


Auxiliary controls on your Zoneline

External Fan (Field Installed)

When connected, an auxiliary or external fan can be controlled at the same time as the indoor fan motor on the Zoneline. Connections provide 24 V AC to energize a remote relay.

To enable this feature, a replacement main board, WP26X34616, and an RAKCDC accessory must be installed.



Remote Thermostat (Field Supplied)

The RAKTK8PA1* Remote Thermostat Connector Kit is required to allow the use of a remote wall thermostat in place of the unit controls on the Zoneline.

When connected to a remote thermostat, the indoor air temperature sensing is shifted from the unit to the remote thermostat. For this reason, the units will operate slightly differently when connected to a remote thermostat. The following chart shows the unit operation when connected to a remote thermostat.

IMPORTANT: The Zoneline thermostat connections provide 24 V AC only.

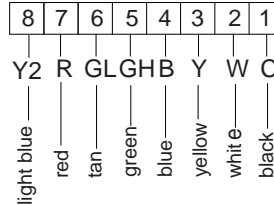
If using a digital/electronic wall thermostat, you must set it to the 24 V AC setting. See the Installation Instructions for the wall thermostat.

NOTICE:

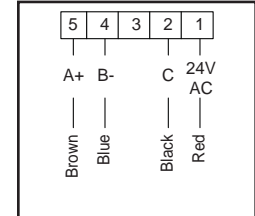
Damage to a wall thermostat or to the Zoneline electronics can result from improper connections. Special care must be used in connecting the wires. No line voltage connections should be made to any circuit. Isolate all wires in building from line voltage.

- **Note:** If you are missing either connector, **GE Appliances part# WJ26X28997** can be ordered.

Standard Remote Thermostat Connector



2-Way Communication External Thermostat Connector



Active UNIT features when using a remote thermostat

Feature	AZE	AZH
Indoor Frost Control	Yes	Yes
Freeze Sentinel	Yes	Yes
Electronic Temperature Limiting	No	No
Switch to Resistance Heat Based on Indoor Temperature	N/A	Determined by Remote Thermostat
Switch to Resistance Heat Based on Outdoor Temperature	N/A	Yes
Reverse Cycle Defrost	N/A	Yes
Simultaneous Partial Resistance Heat with Heat Pump	N/A	Yes
Resistance Heat Lockout	N/A	Yes
"Smart Fan" Fan Cycle	Fan ON/AUTO Set On Remote Thermostat	Fan ON/AUTO Set On Remote Thermostat
Central Desk Control	Yes	Yes
Humidity Sentinel	N/A	N/A

Active UNIT features when using 2 – Way remote thermostat

Feature	AZE	AZH
Indoor Frost Control	Yes	Yes
Freeze Sentinel	Yes	Yes
Electronic Temperature Limiting	Yes	Yes
Switch to Resistance Heat Based on Indoor Temperature	Yes	Yes
Switch to Resistance Heat Based on Outdoor Temperature	N/A	Yes
Reverse Cycle Defrost	N/A	Yes
Simultaneous Partial Resistance Heat with Heat Pump	N/A	Yes
Resistance Heat Lockout	N/A	Yes
"Smart Fan" Fan Cycle	Yes	Yes
Central Desk Control	Yes	Yes
Humidity Sentinel	N/A	N/A

NOTE: The Class 2 Mode setting (Mode 6) must be set to ON for the unit to operate with a Class 2 Remote Wall Thermostat. (See the installation instructions supplied with the remote thermostat and mode instructions on page 10.)

* also available in a package of ten - RAKTK8PA10

Care and Cleaning

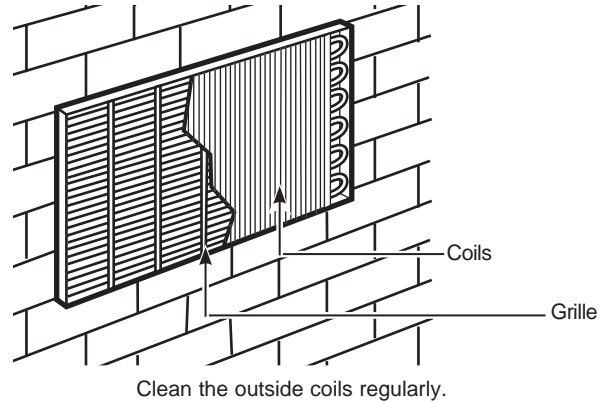
Room Cover and Sleeve

Turn the Zoneline off and disconnect the power supply.

To clean, use water and a mild detergent. Do not use bleach or abrasives. Some commercial cleaners may damage the plastic parts.

Outdoor Coils

The coils on the outdoor side of the Zoneline should be checked regularly. If they are clogged with dirt or soot, they should be cleaned by either low or no pressure cleaning methods. Ensure that electrical area/devices are protected during cleaning. You will need to remove the unit from the wall sleeve to inspect the coils. **The dirt buildup occurs on the fan side of the outdoor coil.**



Base Pan

In some installations, dirt or other debris may be blown into the unit from the outside and settle in the base pan (the bottom of the unit).

In some areas of the United States, a naturally occurring “gel-like” or “slime-like” substance may be seen in the base pan.

Check it periodically and clean, if necessary.

On AZE series models, do not remove the rubber drain plug from the base pan. In cooling operation, water in the base pan promotes evaporative cooling and increases energy efficiency.

Ventilation Filter

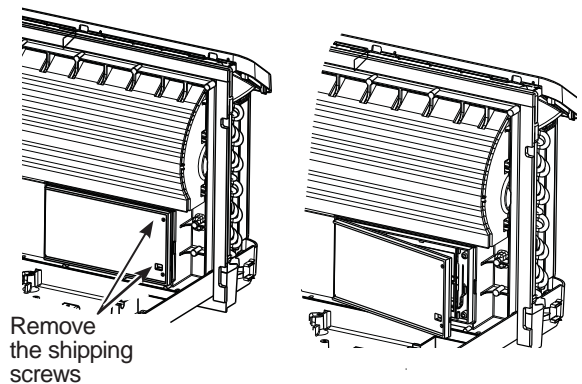
If the vent door is open, clean the vent filter twice a year or as required. Access requires the removal of the unit from the wall sleeve.

Turn the Zoneline off and unplug before removing and cleaning.

To clean the vent filter:

IMPORTANT: This filter is not removable. Trying to remove this filter will damage the unit.

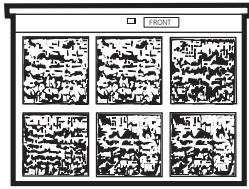
- Use a vacuum to remove debris from the filter.
- Use a damp rag to wipe down the filter and surrounding area after vacuuming.



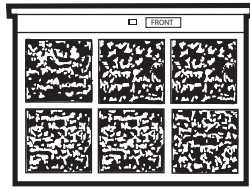
Care and Cleaning

Air Filters

To maintain optimum performance, clean the filters at least every 30 days.



Dirty filter—
Needs cleaning



Clogged filter—
Greatly reduces cooling,
heating and airflow.

Turn the Zoneline off before cleaning.

The most important thing you can do to maintain the Zoneline is to clean the filter at least every 30 days. Clogged filters reduce cooling, heating and air flow.

Keeping these filters clean will:

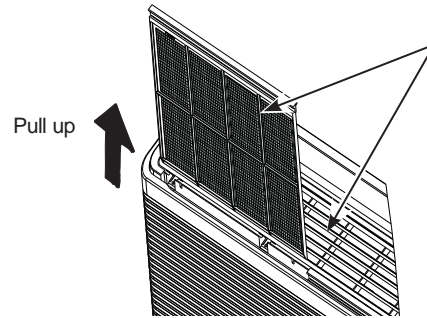
- Decrease cost of operation.
- Save energy.
- Prevent clogged heat exchanger coils.
- Reduce the risk of premature component failure.

To clean the air filters:

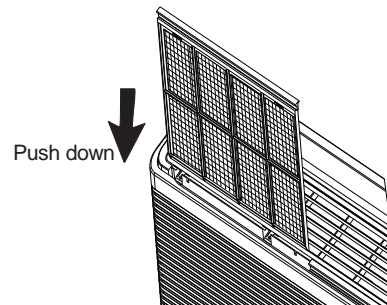
- Vacuum off the heavy soil.
- Run water through the filters from the back side.
- Dry thoroughly before replacing.

NOTE: The air filters are interchangeable and will fit in either the right or left side.

To remove the air filters:



To replace the air filters:



NOTICE:

Do not operate the Zoneline without the filters in place. If a filter becomes torn or damaged, it should be replaced immediately.

Operating without the filters in place or with damaged filters will allow dirt and dust to reach the indoor coil and reduce the cooling, heating, airflow and efficiency of the unit.

Replacement filters are available from your salesperson, GE Appliances dealer, GE Appliances Service and Parts Center or authorized Customer Care® servicers.

REQUIREMENTS FOR OPERATION

Requirements for Operation, Service and Installation of Appliances Using Flammable Refrigerants

⚠ WARNING

- Do not use means to accelerate the defrosting process or to clean, other than those recommended by the manufacturer.
- The appliance shall be stored in a room without continuously operating ignition sources (for example: open flames, an operating gas appliance or an operating electric heater).
- Do not pierce or burn.
- Be aware that refrigerants may not contain an odor.



Warning; Flammable Materials. A2L refrigerant per ISO 817



Owner's Manual; Operating Instructions



Read Owner's Manual



Service Indicator; Read Technical Manual

General

- Handling, installation, cleaning, servicing and disposal of refrigerant must comply with the local regulation and the instruction.
- Servicing shall be performed only as recommended by the manufacturer.

REQUIREMENTS FOR OPERATION

Requirements for Operation, Service and Installation of Appliances Using Flammable Refrigerants

Qualification of workers

Every working procedure that affects safety means shall only be carried out by competent persons.

Examples for such working procedures are:

- breaking into the refrigerating circuit.
- opening of sealed components.

The competent persons are trained by the national training organisations or manufacturers that are accredited to teach the relevant national competency standards that may be set in legislation. The achieved competence should be documented by a certificate.

Information on servicing

Prior to beginning work on systems containing **FLAMMABLE REFRIGERANTS**, safety checks are necessary to ensure that the risk of ignition is minimised. For repair to the REFRIGERATING SYSTEM, the below requirement shall be completed prior to conducting work on the system:

- Work shall be undertaken under a controlled procedure so as to minimise the risk of a flammable gas or vapour being present while the work is being performed.
- All maintenance staff and others working in the local area shall be instructed on the nature of work being carried out. Work in confined spaces shall be avoided.
- The area shall be checked with an appropriate refrigerant detector prior to and during work, to ensure the technician is aware of potentially toxic or flammable atmospheres. Ensure that the leak detection equipment being used is suitable for use with all applicable refrigerants, i. e. non-sparking, adequately sealed or intrinsically safe.
- If any hot work is to be conducted on the refrigerating equipment or any associated parts, appropriate fire extinguishing equipment shall be available to hand. Have a dry powder or CO2 fire extinguisher adjacent to the charging area.

REQUIREMENTS FOR OPERATION

Requirements for Operation, Service and Installation of Appliances Using Flammable Refrigerants

Information on servicing (cont)

- No person carrying out work in relation to a REFRIGERATING SYSTEM which involves exposing any pipe work shall use any sources of ignition in such a manner that it may lead to the risk of fire or explosion. All possible ignition sources, including cigarette smoking, should be kept sufficiently far away from the site of installation, repairing, removing and disposal, during which refrigerant can possibly be released to the surrounding space. Prior to work taking place, the area around the equipment is to be surveyed to make sure that there are no flammable hazards or ignition risks. “No Smoking” signs shall be displayed.
- Ensure that the area is in the open or that it is adequately ventilated before breaking into the system or conducting any hot work. A degree of ventilation shall continue during the period that the work is carried out. The ventilation should safely disperse any released refrigerant and preferably expel it externally into the atmosphere.
- Where electrical components are being changed, they shall be fit for the purpose and to the correct specification. At all times the manufacturer’s maintenance and service guidelines shall be followed. If in doubt, consult the manufacturer’s technical department for assistance.
- The following checks shall be applied to installations using **FLAMMABLE REFRIGERANTS**:
 - Marking to the equipment continues to be visible and legible. Markings and signs that are illegible shall be corrected.
- Repair and maintenance to electrical components shall include initial safety checks and component inspection procedures. If a fault exists that could compromise safety, then no electrical supply shall be connected to the circuit until it is satisfactorily dealt with. If the fault cannot be corrected immediately but it is necessary to continue operation, an adequate temporary solution shall be used. This shall be reported to the owner of the equipment so all parties are advised.
- Initial safety checks shall include:
 - That capacitors are discharged: this shall be done in a safe manner to avoid possibility of sparking;
 - That no live electrical components and wiring are exposed while charging, recovering or purging the system;
 - That there is continuity of earth bonding.

Repairs to sealed components, intrinsically safe components

- Sealed electrical components shall be replaced.
- Intrinsically safe components must be replaced.
- Replace components only with parts specified by the manufacturer. Other parts may result in the ignition of refrigerant in the atmosphere from a leak.

Cabling

Check that cabling will not be subject to wear, corrosion, excessive pressure, vibration, sharp edges or any other adverse environmental effects. The check shall also take into account the effects of aging or continual vibration from sources such as compressors or fans.

REQUIREMENTS FOR OPERATION

Requirements for Operation, Service and Installation of Appliances Using Flammable Refrigerants

Detection of flammable refrigerants

- Under no circumstances shall potential sources of ignition be used in the searching for or detection of refrigerant leaks. A halide torch (or any other detector using a naked flame) shall not be used.
- The following leak detection methods are deemed acceptable for all refrigerant systems.
 - Electronic leak detectors may be used to detect refrigerant leaks but, in the case of **FLAMMABLE REFRIGERANTS**, the sensitivity may not be adequate, or may need re-calibration. (Detection equipment shall be calibrated in a refrigerant-free area.) Ensure that the detector is not a potential source of ignition and is suitable for the refrigerant used. Leak detection equipment shall be set at a percentage of the LFL of the refrigerant and shall be calibrated to the refrigerant employed, and the appropriate percentage of gas (25 % maximum) is confirmed.
 - Leak detection fluids are also suitable for use with most refrigerants but the use of detergents containing chlorine shall be avoided as the chlorine may react with the refrigerant and corrode the copper pipe-work.
- NOTE: Examples of leak detection fluids are:**
 - bubble method,
 - fluorescent method agents.
- If a leak is suspected, all naked flames shall be removed/extinguished.
- If a leakage of refrigerant is found, all of the refrigerant shall be recovered from the system, or isolated (by means of shut off valves) in a part of the system remote from the leak. Removal of refrigerant shall be according to the manual.

Removal and evacuation

- When breaking into the refrigerant circuit to make repairs – or for any other purpose – conventional procedures shall be used. However, for **FLAMMABLE REFRIGERANTS** it is important that best practice be followed, since flammability is a consideration. The following procedure shall be adhered to:
 - a) safely remove refrigerant following local and national regulations;
 - b) purge the circuit with inert gas;
 - c) open the circuit by cutting.
- A non-sparking, adequately sealed or intrinsically safe vacuum pump shall be used.
- The outlet for the vacuum pump shall not be close to any potential ignition sources, and ventilation shall be available.
- The refrigerant charge shall be recovered into the correct recovery cylinders if venting is not allowed by local and national codes. For appliances containing **FLAMMABLE REFRIGERANTS**, the system shall be purged with oxygen-free nitrogen to render the appliance safe for **FLAMMABLE REFRIGERANTS**. This process might need to be repeated several times.
- Compressed air or oxygen shall not be used for purging refrigerant systems.

Charging procedures

- In addition to conventional charging procedures, the following requirements shall be followed.
 - Ensure that contamination of different refrigerants does not occur when using charging equipment. Hoses or lines shall be as short as possible to minimise the amount of refrigerant contained in them.
 - Cylinders shall be kept in an appropriate position according to the instructions.
 - Ensure that the **REFRIGERATING SYSTEM** is earthed prior to charging the system with refrigerant.
 - Label the system when charging is complete (if not already).
 - Extreme care shall be taken not to overfill the **REFRIGERATING SYSTEM**.
- Prior to recharging the system, it shall be pressure-tested with the appropriate purging gas. The system shall be leak-tested on completion of charging but prior to commissioning. A follow up leak test shall be carried out prior to leaving the site.

REQUIREMENTS FOR OPERATION

Requirements for Operation, Service and Installation of Appliances Using Flammable Refrigerants

Decommissioning

- Before carrying out this procedure, it is essential that the technician is completely familiar with the equipment and all its detail. It is recommended good practice that all refrigerants are recovered safely. Prior to the task being carried out, an oil and refrigerant sample shall be taken in case analysis is required prior to re-use of recovered refrigerant. It is essential that electrical power is available before the task is commenced.
 - a) Become familiar with the equipment and its operation.
 - b) Isolate system electrically.
 - c) Before attempting the procedure, ensure that:
 - mechanical handling equipment is available, if required, for handling refrigerant cylinders;
 - all personal protective equipment is available and being used correctly;
 - the recovery process is supervised at all times by a competent person;
 - recovery equipment and cylinders conform to the appropriate standards.
 - d) Pump down refrigerant system, if possible.
 - e) If a vacuum is not possible, make a manifold so that refrigerant can be removed from various parts of the system.
 - f) Make sure that cylinder is situated on the scales before recovery takes place.
 - g) Start the recovery machine and operate in accordance with instructions.
 - h) Do not overfill cylinders (no more than 80 % volume liquid charge).
 - i) Do not exceed the maximum working pressure of the cylinder, even temporarily.
 - j) When the cylinders have been filled correctly and the process completed, make sure that the cylinders and the equipment are removed from site promptly and all isolation valves on the equipment are closed off.
 - k) Recovered refrigerant shall not be charged into another **REFRIGERATING SYSTEM** unless it has been cleaned and checked.

Labeling

- Equipment shall be labeled stating that it has been de-commissioned and emptied of refrigerant. The label shall be dated and signed. For appliances containing **FLAMMABLE REFRIGERANTS**, ensure that there are labels on the equipment stating the equipment contains **FLAMMABLE REFRIGERANT**.

REQUIREMENTS FOR OPERATION

Requirements for Operation, Service and Installation of Appliances Using Flammable Refrigerants

Recovery

- When removing refrigerant from a system, either for servicing or decommissioning, it is recommended good practice that all refrigerants are removed safely.
- When transferring refrigerant into cylinders, ensure that only appropriate refrigerant recovery cylinders are employed. Ensure that the correct number of cylinders for holding the total system charge is available. All cylinders to be used are designated for the recovered refrigerant and labelled for that refrigerant (i. e. special cylinders for the recovery of refrigerant). Cylinders shall be complete with pressure-relief valve and associated shut-off valves in good working order. Empty recovery cylinders are evacuated and, if possible, cooled before recovery occurs.
- The recovery equipment shall be in good working order with a set of instructions concerning the equipment that is at hand and shall be suitable for the recovery of all appropriate refrigerants including, when applicable, **FLAMMABLE REFRIGERANTS**. In addition, a set of calibrated weighing scales shall be available and in good working order. Hoses shall be complete with leak-free disconnect couplings and in good condition. Before using the recovery machine, check that it is in satisfactory working order, has been properly maintained and that any associated electrical components are sealed to prevent ignition in the event of a refrigerant release. Consult manufacturer if in doubt.
- The recovered refrigerant shall be processed according to local legislation in the correct recovery cylinder, and the relevant waste transfer note arranged. Do not mix refrigerants in recovery units and especially not in cylinders.
- If compressors or compressor oils are to be removed, ensure that they have been evacuated to an acceptable level to make certain that **FLAMMABLE REFRIGERANT** does not remain within the lubricant. The compressor body shall not be heated by an open flame or other ignition sources to accelerate this process. When oil is drained from a system, it shall be carried out safely.

Installation Instructions

Questions? Call 844-GE4-PTAC (or 844-434-7822) or Visit our Website at: GEAppliances.com

BEFORE YOU BEGIN

Read these instructions completely and carefully.

- **IMPORTANT** — Save these instructions for local inspector's use.
- **IMPORTANT** — Observe all governing codes and ordinances.
- **Note to Installer** — Be sure to leave these instructions with the owner.
- **Note to Owner** — Keep these instructions for future reference.
- Proper installation is the responsibility of the installer.
- Product failure due to improper installation is not covered under the Warranty.
- You must use all supplied parts and use proper installation procedures as described in these instructions when installing this air conditioner.

AIR CONDITIONER BREAK-IN PERIOD

NOTE — As with any mechanical device with moving parts, this unit will have a wear-in period. **AFTER INSTALLATION**, this unit should be operated for 48 hours to achieve optimum efficiency.

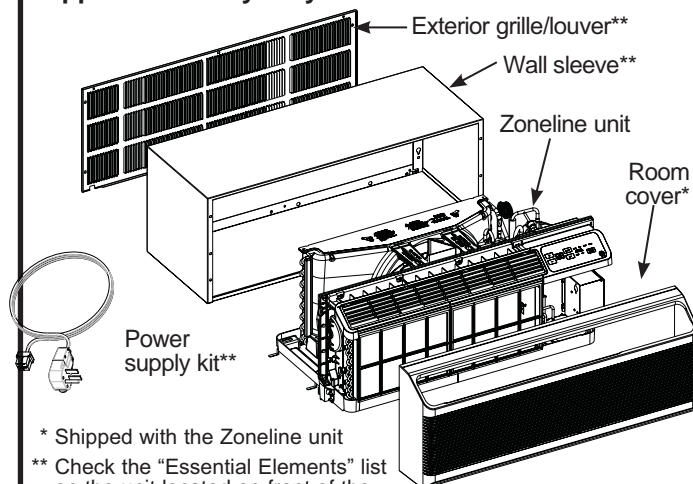
TOOLS YOU WILL NEED



Phillips screwdriver
or 5/16" Nut driver

ZONELINE COMPONENTS

Appearance may vary.



* Shipped with the Zoneline unit

** Check the "Essential Elements" list on the unit located on front of the base pan

IMPORTANT ELECTRICAL SAFETY— READ CAREFULLY

⚠ CAUTION

- Follow the National Electrical Code (NEC) or local codes and ordinances.
- For personal safety, this Zoneline must be properly grounded.
- Protective devices (fuses or circuit breakers) acceptable for Zoneline installations are specified on the nameplate of each unit.
- Do not use an extension cord with this unit.
- Aluminum building wiring may present special problems—consult a qualified electrician.
- When the unit is in the OFF position, there is still voltage to the electrical controls.
- Disconnect the power to the unit before servicing by:
 - 1 Removing the power cord (if it has one) from the wall receptacle. OR
 - 2 Removing the branch circuit fuses or turning the circuit breakers off at the panel.

⚠ ATTENTION

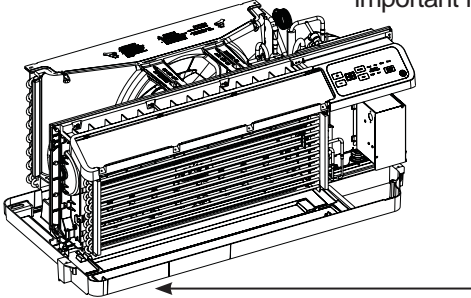
- Suivez le Code national de l'électricité (CNE) ou vos ordonnances et codes locaux.
- Pour votre sécurité personnelle, ce Zoneline doit être bien mis à la terre.
- Les appareils protecteurs (fusibles ou disjoncteurs) acceptables pour installer votre Zoneline sont indiqués sur la plaque signalétique de chaque appareil.
- N'utilisez jamais de rallonge électrique avec cet appareil.
- Les fils de bâtiment en aluminium peuvent poser des problèmes particuliers—consultez un électricien qualifié.
- Quand votre appareil est en position OFF (arrêt), il reste de la tension dans les commandes électriques.
- Débranchez le courant de votre appareil avant de l'entretenir ou de le réparer en:
 1. Enlevant le cordon d'alimentation (le cas échéant) de la prise murale. OU
 2. Enlevant les fusibles du circuit de dérivation ou en débranchant les disjoncteurs de dérivation au panneau.

⚠ PRECAUCIÓN

- Siga las instrucciones del National Electrical Code (Código de Electricidad Nacional) (NEC) o los códigos u ordenanzas locales.
- Para su seguridad personal, el acondicionador de aire Zoneline debe tener una adecuada conexión a tierra.
- Los dispositivos de protección (fusibles o disyuntores) adecuados para las instalaciones de Zoneline se encuentran especificados en la placa de cada unidad.
- No utilice un cable de extensión con esta unidad.
- El cableado de aluminio puede presentar problemas especiales: consulte a un electricista calificado.
- Cuando la unidad se encuentra en la posición OFF (apagado), todavía hay voltaje en los controles eléctricos.
- Antes de realizar reparaciones en la unidad, desconecte el suministro de energía de la siguiente manera:
 - 1 Retire el cable eléctrico (si posee uno) del receptáculo de la pared. O
 - 2 Retire los fusibles de la sección o apague el disyuntor desde el panel.

REPLACING AN EXISTING UNIT

Check the "Essential Elements" label for important information.



Use the correct wall sleeve

This unit is designed to be installed in a GE Appliances plastic or insulated metal wall sleeve. This minimizes condensation from forming on the room side of the case.

NOTE: There are several extra holes in the unit side flanges for installation in wall sleeves other than GE Appliances. To avoid damaging the flange insulation, the installer should use an awl or other sharp tool to puncture the insulation in the appropriate holes before installing the attachment screws.

Use the correct outdoor grille

You should use the outdoor grilles shown on the "Essential Elements" label on the base pan.

- If an existing grille is not replaced, capacity and efficiency will be reduced and the unit may fail to operate properly or fail prematurely. A deflector kit, RAK40, may be used with grilles that were not designed for your new GE Appliances Zonelines. The RAK40 contains air deflectors and gaskets that mount to the unit to direct the hot exhaust air away from the air intake to allow the unit to function properly. **The grille must have a 65% minimum free area (as calculated by ASHRAE).** See the Architects and Engineers Data Manual for more detailed information.
- Any vertical deflectors in a non GE Appliances existing rear grille should be removed to decrease condenser air recirculation that can cause the unit to "short-cycle" and lead to premature component failure.

Use the correct power cord

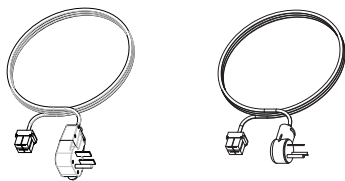
Codes require the use of arc fault or leakage current detection devices on 230/208-volt installations.

Installation Instructions

230/208 VOLT ELECTRICAL CONNECTION OPTIONS

POWER CORD CONNECTION

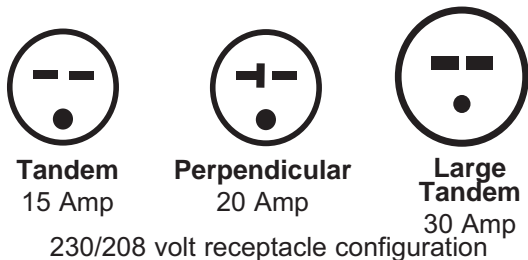
Depending on application, a power supply kit with LCDI must be used to supply power to the Zoneline unit. The appropriate kit is determined by the voltage, the means of electrical connection and the amperage of the branch circuit.



Power supply kit
(Appearance may vary)

Connections of 208 or 230-volt circuits may be with a power supply kit or a junction box kit.

All wiring, including installation of the receptacle, must be in accordance with the NEC and local codes, ordinances and regulations. Codes require the use of an arc fault or leakage current detection device on the power cord except direct connect. Be sure to select the correct cord for your installation.



Branch Circuit and Unit Amperage Rating	Proper GE Appliances Power Cord with LCDI Device
15	RAK315P
20	RAK320P
30	RAK330P

Power cords may include an arc fault interruption or a leakage current detection interruption device. A test and reset button is provided on the plug case or the inline case. The device should be tested on a periodic basis by first pressing the **TEST** button and then the **RESET** button. If the **TEST** button does not trip or if the **RESET** button will not stay engaged, discontinue use of the Zoneline and contact a qualified service technician.

ELECTRICAL SUBBASE CONNECTION

230/208-volt models may be installed using one of the following electrical subbases:

Branch Circuit and Unit Amperage Rating	Proper GE Appliances Subbase Kit
15	RAK204D15C
20	RAK204D20C
30	RAK204D30C

Electrical subbases provide an enclosure for direct connection or enclosed receptacles. The subbase kit includes the power cord.

The instructions provided with the selected subbase kit must be carefully followed. It is the responsibility of the installer to ensure the connection of components is done in accordance with these instructions and all electrical codes.

When using a sub-base electrical connection, the **RAK4002D Junction Box** is required for a complete and proper installation.

DIRECT CONNECTION

Order one of the following Kits for 230/208-volt direct connection as required:

Branch Circuit and Unit Amperage Rating	Power Supply Kit
15	RAK315D
20	RAK320D
30	RAK330D

Review installation instructions provided with direct connect kits for detailed assembly instructions.

When using a direct connection, the **RAK4002D Junction Box** is required for a complete and proper installation.

265 VOLT ELECTRICAL CONNECTION OPTIONS

⚠ WARNING

Connection of this 265 V AC product to a branch circuit **MUST** be done by direct connection in accordance with the National Electrical Code. Plugging this unit into a building-mounted exposed receptacle is not permitted by code. These models must be installed using the appropriate GE Appliances power supply kit for the branch circuit amperage and the electrical resistance heater wattage desired. Use the POWER CONNECTION CHART on page 21 to determine the correct kit required. One of the following installation methods must be used:

⚠ AVERTISSEMENT

Vous DEVEZ brancher ce produit alimenté par courant alternatif de 265 volts au circuit de dérivation par branchement direct conformément au Code national d'électricité. Le Code n'autorise pas le branchement en direct d'un appareil à une prise exposée montée sur le bâtiment. Vous devez installer ces modèles à l'aide de la bonne trousse d'alimentation électrique GE Appliances pour l'ampérage du circuit de dérivation et la puissance du chauffage à résistance électrique désirée. Utilisez le Tableau de contact électrique, page 21, pour déterminer la bonne trousse requise. Vous devez utiliser l'une des méthodes suivantes d'installation.

⚠ ADVERTENCIA

La conexión de este producto de 265 voltios de CA a un circuito derivado DEBE realizarse mediante una conexión directa de acuerdo a las indicaciones del NEC. El código no permite enchufar esta unidad a una caja externa. Estos modelos deben instalarse utilizando el kit de GE Appliances de suministro de energía adecuado para el amperaje de circuito derivado y el vatiaje deseado para el calefactor de resistencia eléctrica. Utilice la TABLA DE CONEXIONES ELÉCTRICAS en la página 21 para determinar cuál es el kit necesario. Debe utilizarse uno de los siguientes métodos de instalación.

A. FOR SUBBASE INSTALLATION

Electrical subbase kits are available to provide a flexible enclosure for direct connection.

Branch Circuit and Unit Amperage Rating	Proper GE Appliances Subbase Kit
15	RAK204E15C
20	RAK204E20C
30	RAK204E30C

The instructions provided with the selected subbase kit must be carefully followed. The subbase kit includes the power connection kit. It is the responsibility of the installer to ensure the connection of components is done in accordance with these instructions and all electrical codes.

B. FOR DIRECT CONNECT INSTALLATION

- If an electrical subbase is not used, direct connection to branch circuit wiring inside the provided junction box must be done in accordance with the following steps.
- Order the following Kit for 265-volt direct connection as required:

Branch Circuit and Unit Amperage Rating	Power Supply Kit
15	RAK515D
20	RAK520D
30	RAK530D

- Review installation instructions provided with power cord or direct connect kits for detailed assembly instructions.

External Disconnect for units not fitted with a Supply Cord and Plug

There shall be disconnecting means from the electrical supply located with line of sight of the air conditioner's room front. The disconnecting means shall be readily accessible while air conditioner is installed in the wall sleeve. The disconnect shall not obscure the rating plate. A properly rated field supplied switch is a common means for electrical disconnection.

Installation Instructions

POWER CONNECTION CHART

Power Cord Connections

230/208 Volt Power Supply Kits with Current Leakage Detection Device (1)	Wall Plug Configuration	Circuit Protective Device	Heater Wattage @ 230/208 Volts
RAK315P/SP RAK320P/SP RAK330P/SP	Tandem Perpendicular Large Tandem	15-Amp Time-Delay Fuse or Breaker 20-Amp Time-Delay Fuse or Breaker 30-Amp Time-Delay Fuse or Breaker	2.40/1.96 KW 3.40/2.78 KW 4.80/3.93 KW (High Fan) 3.80/3.11 KW (Low Fan)

Direct Connections

230/208 Volt Power Supply Kits (2)	Circuit Protective Device	Heater Wattage @ 230/208 Volts
RAK315D RAK320D RAK330D	15-Amp Time-Delay Fuse or Breaker 20-Amp Time-Delay Fuse or Breaker 30-Amp Time-Delay Fuse or Breaker	2.40/1.96 KW 3.40/2.78 KW 4.80/3.93 KW (High Fan) 3.80/3.11 KW (Low Fan)

265 Volt Power Supply Kits (3)	Circuit Protective Device	Heater Wattage @ 265 Volts
RAK515D RAK520D RAK530D	15-Amp Time-Delay Fuse or Breaker 20-Amp Time-Delay Fuse or Breaker 30-Amp Time-Delay Fuse or Breaker	2.40 KW 3.40 KW 4.80 KW (High Fan) 3.8 KW (Low Fan)

- (1) Kits ending in SP do not have an LCDI device are therefore can only be used in a sub-base. A junction box (purchased separately) is required with SP kits.
- (2) A junction box (purchased separately) is required with these kits.
- (3) The required junction box comes pre-installed on the chassis.

INSTALLING THE ZONELINE

1. INSTALL THE WALL SLEEVE AND EXTERIOR GRILLE

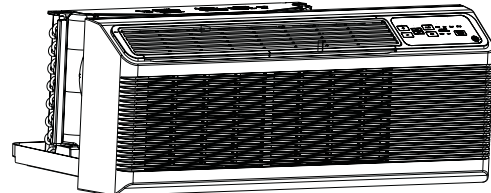
The RAB 81/81B series or RAB78 wall sleeve must be properly installed per instructions packed with the sleeve.

- Assemble the wall sleeve as detailed in the instructions packed with it. Ensure all pieces are properly snapped together.
- Attach the outdoor panel to the rear of the assembly to help close off the building from the elements.
- Install, secure and caulk the sleeve.
- When the chassis is ready to be installed, remove the outdoor panel and then install and secure the grille prior to installing the chassis.
- Install the exterior grille from the room side following instructions packed with the grille.

NOTE: For installation with a subbase or duct adapter, see the instructions packed with those kits.

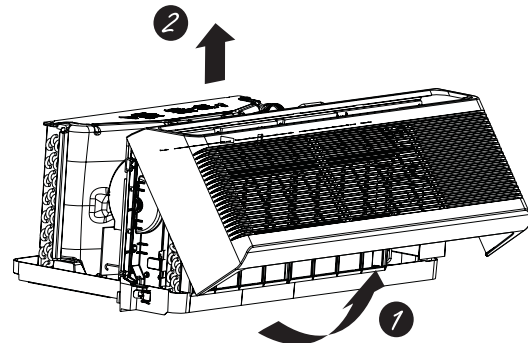
2. PREPARE THE UNIT

- Carefully remove the foam shipping blocks from the room front, compressor and outdoor fan. There may be multiple blocks and pieces of shipping tape that need to be removed.

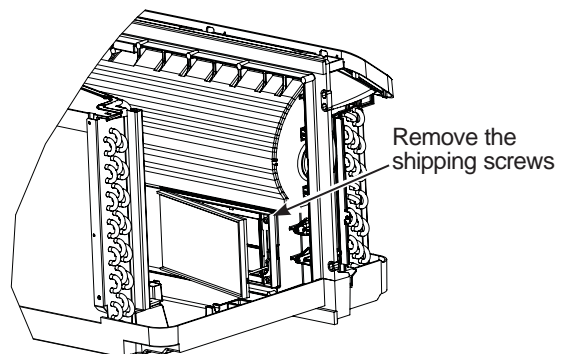


Shipping tape
(Locations may vary)

- Remove the room cover by pulling it out at the bottom to release it (1); then lift it up to clear the rail along the unit top (2).



- Remove shipping screws from the front side of the vent door, if present.



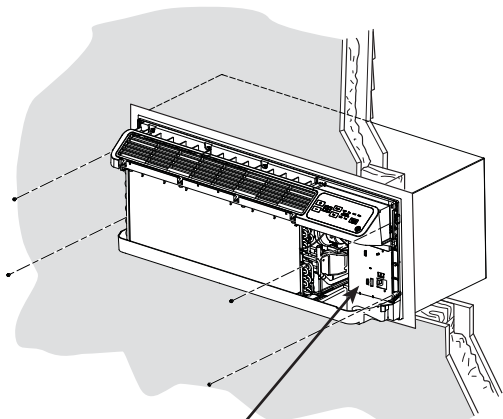
Installation Instructions

INSTALLING THE ZONELINE (cont.)

3. INSTALL THE UNIT INTO THE WALL SLEEVE

Slide the unit into the wall sleeve and secure with four screws through the unit flange holes.

The four screws will be located in a sealed bag that sits under the control panel, sitting in the pocket in the base pan.

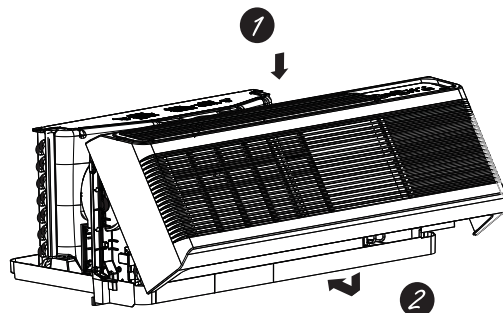


The four wall sleeve screws will be taped to the pocket in front of the control box.

NOTE: There are several extra holes in the unit side flanges for installation in wall sleeves other than GE Appliances. To avoid damaging the flange insulation, the installer should use an awl or other sharp tool to puncture the insulation in the appropriate holes before installing the attachment screws.

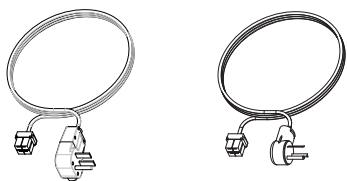
5. REPLACE THE ROOM FRONT

Reinstall the room cover by aligning and placing the top rail of the room cover over the chassis (1), then pushing it in at the bottom (2).



4. CONNECT POWER CORD OR DIRECT CONNECT KIT

Review installation instructions provided with power cord or direct connect kits for detailed assembly instructions.



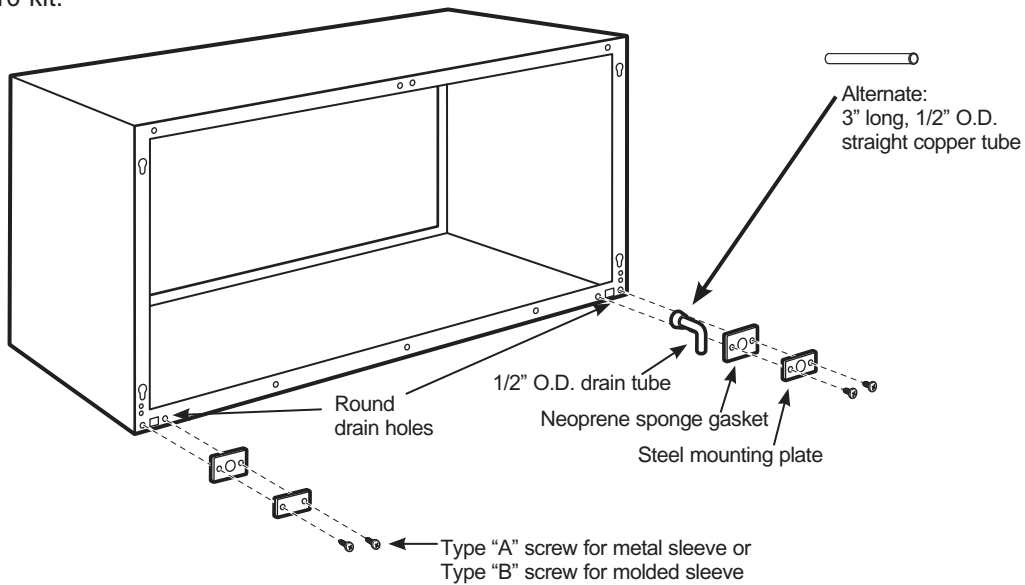
Power supply kit
(Appearance may vary)

Installation Instructions

OPTIONAL—DRAIN KIT INSTALLATION

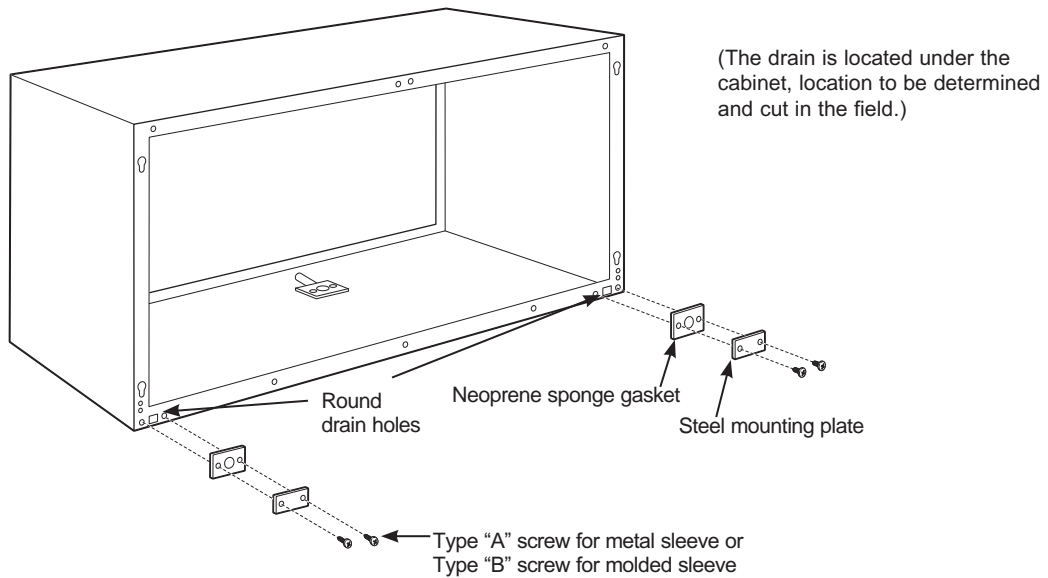
External Drain

See the Installation Instructions in the RAD10 kit.



Internal Drain

See the Installation Instructions in the RAD10 kit.



Troubleshooting Tips... Before you call for service

Save time and money! Review the charts on the following pages first and you may not need to call for service.

Problem	Possible Cause	What To Do
Zonline does not start.	The unit is unplugged.	Make sure the Zonline plug is pushed completely into the outlet.
	The power cord is not firmly attached.	Remove the room cover and make sure that the black connector on the end of the power cord is firmly engaged.
	The fuse is blown/circuit breaker is tripped.	Check the house fuse/circuit breaker box and replace the fuse or reset the breaker.
	The unit is waiting for the compressor overload protector to reset.	This is normal. The Zonline will start again after it resets.
	Power Failure.	There is a protective time delay (up to 3 minutes) to prevent tripping of the compressor overload. For this reason, the unit may not start normal heating or cooling for 3 minutes after it is turned back on.
	The power cord current interrupter device is tripped.	Press the RESET button located on the power cord plug or the box near the plug. If the RESET button will not stay engaged, discontinue use of the Zonline and contract a qualified service technician.
Zonline does not cool or heat as it should.	Indoor airflow is restricted.	Make sure there are not curtains, blinds or furniture blocking the front of the Zonline.
	Outdoor airflow is restricted or recirculated.	Make sure the rear grille is not restricted. This can cause the unit to cycle off due to the compressor overload protector. Outdoor grille must have a minimum of 65% free area. Non-GE Appliances grills may be too restrictive for proper performance. Consult your salesperson for assistance.
	The temp control may not be set properly.	Turn the control to the lower or higher setting. NOTE: The temperature limiting feature may be restricting the temperature range.
	The air filter is dirty.	Clean or change the filter at least every 30 days. See the Care and Cleaning section
	Outdoor air is entering the room.	Set the vent control to the closed position. NOTE: Units equipped with makeup ventilation will continuously allow some outdoor air into the room.
Burning odor at the start of heating operation.	Dust on the surface of the heating elements.	This can cause a "burning" odor at the beginning of the heating operation. This should quickly fade.

Troubleshooting Tips... Before you call for service

Save time and money! Review the charts on the following pages first and you may not need to call for service.

Problem	Possible Cause	What To Do
The air is not always cool or hot during operation.	The heat pump is not producing hot air.	This is normal. The heat pump will produce warm air but not as hot as air produced when the higher-cost electric heat is used.
	The Smart Fan Auxiliary control may be set to continuous fan.	This causes the fan to blow room temperature air even when the compressor or heater cycles off. The continuous air movement provides better overall temperature control in the cool mode. See Smart Fan-Cooling/Heating section on page 8.
The air does not feel warm enough during heating operation	The heat pump alone produces air that feels cooler than desired.	Use the Electric Heat Option. This turns off the heat pump and warms with electric heat only. NOTE: Use of this option will result in increased energy consumption.
The unit is not blowing out air	The Smart Fan Auxiliary Controls may be set to cycle.	See Smart Fan - Cooling/Heating section on page 8.
The electric heating and fan features do not work	The power cord is not firmly attached.	Remove the room cover and make sure that the black connector on the end of the power cord is firmly engaged.
Temperature display flashes	The control panel is locked.	Press and hold the DISPLAY Show/Hide button for 10+ seconds to unlock the display. See Control Lock Out section on page 6.
The unit does not function after installing Remote Wall Thermostat	Aux Mode 6 not set properly.	Check Aux Mode 6 to be sure switch on "on" for Remote Thermostat, see page 10.
	Unit thermostat connections are incorrect.	Verify wiring from Remote Wall Thermostat is correct to unit thermostat connector.
	Low voltage transformer resets or opens with short.	To reset the low voltage transformer: unplug the unit from power, wait ~ 5 minutes, then replug in the unit.
Heat pump operates with electric heat only during heating.	Aux Mode 8 not set properly.	Make sure AUX Mode 8 is not set to "EH" for electric heat only.

Things that are normal

Normal Operating Sounds

- You may hear a pinging noise caused by water being picked up and thrown against the condenser on rainy days or when the humidity is high. This design feature helps remove moisture and improve efficiency.
- You may hear relays click when the controls cycle on and off or are adjusted to change the room temperature.
- Water will collect in the base pan during high humidity or on rainy days. The water may overflow and drip from the outdoor side of the unit.
- The indoor fan runs continuously when the unit is operating in the cooling mode, unless the Smart Fan Auxiliary Control is set to cycle. The cycle selection will cause the fan to cycle on and off with the compressor. You may also hear a fan noise stop and start.
- There are times when the fan on the unit will run even when the unit is not heating or cooling. If the system is set up to be in continuous fan the indoor fan will run regardless if the unit may be cooling or heating. Other times the fan will run longer than the heating/cooling cycle or kick on occasionally. This is normal and is done to improve room comfort and balance.
- If the unit is equipped with a make-up air ventilation system, some fans will run continuously.
- You may notice a few minutes delay in starting if you try to restart the Zoneline too soon after turning it off or if you adjust the thermostat right after the compressor has shut off. This is due to a built-in restart protector for the compressor that causes a 3-minute delay.
- During the defrost cycle, both the indoor and outdoor fans stop and the compressor operates in the cooling mode to remove frost from the outdoor coil. After defrost, the unit will restart in electric heat to quickly warm the room to the desired comfort level.
- To protect the compressor and prevent short cycling, the unit is designed to run for a minimum of 3 minutes after the compressor starts at any thermostat setting.

GE Appliances Zonline Warranty

All warranty service provided by our Factory Service Centers or an authorized Customer Care[®] technician. To schedule service, on-line, visit us at GEAppliances.com, or call 844-GE4-PTAC (or 844-434-7822). For service in Canada, contact your local HVAC contractor. Please have serial number and model number available when calling for service.

For The Period Of:	GE Will Replace:
One Year From the date of the original purchase	Any part of the air conditioner which fails due to a defect in materials or workmanship. During this limited one-year warranty , GE will provide, free of charge , all labor and related service cost to replace the defective part.
Five Year From the date of the original purchase	Sealed Refrigerating System, if any part of the sealed refrigerating system (the compressor, condenser, evaporator and all connecting tubing including the make up air system) should fail due to a defect in materials or workmanship. During this limited five-year warranty , GE will provide, free of charge , all labor and related service cost to replace the defective part.
Second through Fifth Year From the date of the original purchase	Fan Motors, Switches, Thermostat, Heater, Heater Protectors, Compressor Overload, Solenoids, Circuit Boards, Auxiliary Controls, Thermistors, Freeze Sentinel, Frost Controls, ICR Pump, Capacitors, Varistors and Indoor Blower Bearings , if any of these parts should fail due to a defect in materials or workmanship. During this additional four-year limited warranty , the customer will be responsible for any labor and related service costs.

What GE Will Not Cover:

- **Service trips to your site to teach you how to use the product.**
- **Improper installation, delivery or maintenance.**
If you have an installation problem, or if the air conditioner is of improper cooling capacity for the intended use, contact your dealer or installer. You are responsible for providing adequate electrical connecting facilities.
- **In commercial locations, labor necessary to move the unit to a location where it is accessible for service by an individual technician.**
- **Failure or damage resulting from corrosion due to installation in an environment containing corrosive chemicals.**
- **Replacement of fuses or resetting of circuit breakers.**
- **Failure of the product resulting from modifications to the product or due to unreasonable use, including failure to provide reasonable and necessary maintenance.**
- **Failure or damage resulting from corrosion due to installation in a coastal environment, except for models treated with special factory-applied anti-corrosion protection as designated in the model number.**
- **Damage to product caused by improper power supply voltage, accident, fire, floods or acts of God.**
- **Incidental or consequential damage to personal property caused by possible defects with this air conditioner.**
- **Damage caused after delivery.**
- **Product not accessible to provide required service.**

EXCLUSION OF IMPLIED WARRANTIES—Your sole and exclusive remedy is product repair as provided in this Limited Warranty. Any implied warranties, including the implied warranties of merchantability or fitness for a particular purpose, are limited to one year or the shortest period allowed by law.

This warranty is extended to the original purchaser and any succeeding owner for products purchased for use within the USA and Canada. If the product is located in an area where service by a GE Appliances Authorized Servicer is not available, you may be responsible for a trip charge or you may be required to bring the product to an Authorized GE Appliances Service location for service. In Alaska, the warranty excludes the cost of shipping or service calls to your site.

Some states or provinces do not allow the exclusion or limitation of incidental or consequential damages. This warranty gives you specific legal rights, and you may also have other rights which vary from state to state or province to province. To know what your legal rights are, consult your local, state or provincial consumer affairs office or your state's Attorney General.

Warrantor: GE Appliances, a Haier company

Staple your receipt here. Proof of the original purchase date is needed to obtain service under the warranty.

Consumer Support

GE Appliances Website

Have a question or need assistance with your appliance? Try the GE Appliances Website 24 hours a day, any day of the year! You can also shop for more great GE Appliances products and take advantage of all our on-line support services designed for your convenience. In the US: GEAppliances.com

Register Your Appliance

Register your new appliance on-line at your convenience! Timely product registration will allow for enhanced communication and prompt service under the terms of your warranty, should the need arise. You may also mail in the pre-printed registration card included in the packing material. In the US: GEAppliances.com/register

Schedule Service

Expert GE Appliances repair service is only one step away from your door. Get on-line and schedule your service at your convenience any day of the year. In the US: GEAppliances.com/ge/service-and-support/service.htm or call 844.GE4.PTAC (844.434.7822) during normal business hours. For service in Canada, contact your local HVAC contractor.

Extended Warranties

Purchase a GE Appliances extended warranty and learn about special discounts that are available while your warranty is still in effect. You can purchase it on-line anytime. GE Appliances Services will still be there after your warranty expires. In the US: GEAppliances.com/ge/service-and-support/shop-for-extended-service-plans.htm or call 800.626.2224 during normal business hours.

Remote Connectivity

For assistance with wireless network connectivity (for models with remote enable), visit our website at GEAppliances.com/ge/connected-appliances/ or call 800.220.6899 in the US.

Parts and Accessories

Individuals qualified to service their own appliances can have parts or accessories sent directly to their homes (VISA, MasterCard and Discover cards are accepted). Order on-line today 24 hours every day. In the US: GEApplianceparts.com or by phone at 877.959.8688 during normal business hours.

Instructions contained in this manual cover procedures to be performed by any user. Other servicing generally should be referred to qualified service personnel. Caution must be exercised, since improper servicing may cause unsafe operation.

Contact Us

If you are not satisfied with the service you receive from GE Appliances, contact us on our Website with all the details including your phone number, or write to:

In the US: General Manager, Customer Relations | GE Appliances, Appliance Park | Louisville, KY 40225
GEAppliances.com/ge/service-and-support/contact.htm